

Алматы (7273)495-231  
Ангарск (3955)60-70-56  
Архангельск (8182)63-90-72  
Астрахань (8512)99-46-04  
Барнаул (3852)73-04-60  
Белгород (4722)40-23-64  
Благовещенск (4162)22-76-07  
Брянск (4832)59-03-52  
Владивосток (423)249-28-31  
Владикавказ (8672)28-90-48  
Владимир (4922)49-43-18  
Волгоград (844)278-03-48  
Вологда (8172)26-41-59  
Воронеж (473)204-51-73  
Екатеринбург (343)384-55-89

Иваново (4932)77-34-06  
Ижевск (3412)26-03-58  
Иркутск (395)279-98-46  
Казань (843)206-01-48  
Калининград (4012)72-03-81  
Калуга (4842)92-23-67  
Кемерово (3842)65-04-62  
Киров (8332)68-02-04  
Коломна (4966)23-41-49  
Кострома (4942)77-07-48  
Краснодар (861)203-40-90  
Красноярск (391)204-63-61  
Курск (4712)77-13-04  
Курган (3522)50-90-47  
Липецк (4742)52-20-81

Магнитогорск (3519)55-03-13  
Москва (495)268-04-70  
Мурманск (8152)59-64-93  
Набережные Челны (8552)20-53-41  
Нижний Новгород (831)429-08-12  
Новокузнецк (3843)20-46-81  
Ноябрьск (3496)41-32-12  
Новосибирск (383)227-86-73  
Омск (3812)21-46-40  
Орел (4862)44-53-42  
Оренбург (3532)37-68-04  
Пенза (8412)22-31-16  
Петрозаводск (8142)55-98-37  
Псков (8112)59-10-37  
Пермь (342)205-81-47

Ростов-на-Дону (863)308-18-15  
Рязань (4912)46-61-64  
Самара (846)206-03-16  
Санкт-Петербург (812)309-46-40  
Саратов (845)249-38-78  
Севастополь (8692)22-31-93  
Саранск (8342)22-96-24  
Симферополь (3652)67-13-56  
Смоленск (4812)29-41-54  
Сочи (862)225-72-31  
Ставрополь (8652)20-65-13  
Сургут (3462)77-98-35  
Сыктывкар (8212)25-95-17  
Тамбов (4752)50-40-97  
Тверь (4822)63-31-35

Тольятти (8482)63-91-07  
Томск (3822)98-41-53  
Тула (4872)33-79-87  
Тюмень (3452)66-21-18  
Ульяновск (8422)24-23-59  
Улан-Удэ (3012)59-97-51  
Уфа (347)229-48-12  
Хабаровск (4212)92-98-04  
Чебоксары (8352)28-53-07  
Челябинск (351)202-03-61  
Череповец (8202)49-02-64  
Чита (3022)38-34-83  
Якутск (4112)23-90-97  
Ярославль (4852)69-52-93

Россия +7(495)268-04-70

Казахстан +7(7172)727-132

Киргизия +996(312)96-26-47

<https://adca.nt-rt.ru/> || [acd@nt-rt.ru](mailto:acd@nt-rt.ru)



## TDS CONTROLLER FOR STEAM GENERATORS (AUTOMATIC PURGE OF DISSOLVED SOLIDS) BCS-211



# TDS CONTROLLER FOR STEAM GENERATORS (AUTOMATIC PURGE OF DISSOLVED SOLIDS) BCS-211

## DESCRIPTION AND OPERATION

The ADCATrol BCS-211 controller is part of the dissolved solids (TDS) control system used in steam boilers. This system is composed by a SPS series conductivity probe, a BCS-211 controller, a VPC series TDS blowdown control valve and, in case of need, a UC-820 universal process controller for PID control.

The BCS-211 controller continuously measures, at the electrode rod in the measuring cell, the electrical conductivity of the boilers' water, which is closely related to the level of TDS. The value measured is then compared with the set point of the controller. If that value exceeds the set point, the controller opens the blowdown valve using its relay (on/off) output (lighting up the "Alarm" indicator lamp).

If the measured value drops below 78% of the set point, the controller relay is energized, closing the blowdown valve (the "Alarm" indicator lamp turns off).

A modulating (PID) control may be achieved by using the BCS-211 4 to 20 mA transmitter output in conjunction with a UC-820 universal process controller.

## MAIN FEATURES

- Compatible with both SPS-21 and SPS-33 series conductivity probes.
- Relay (on/off) output and 4 to 20 mA transmitter output.
- Standard 35 mm rail fixation according to DIN EN 50022 or directly screwed to chassis plate.
- Allows quick performance tests by pressing and holding the "TEST K" button.

## AVAILABLE MODELS:

BCS-211 – 0 to 10000  $\mu\text{S}/\text{cm}$ .

BCS-211B – 0 to 1000  $\mu\text{S}/\text{cm}$ .



## TECHNICAL DATA

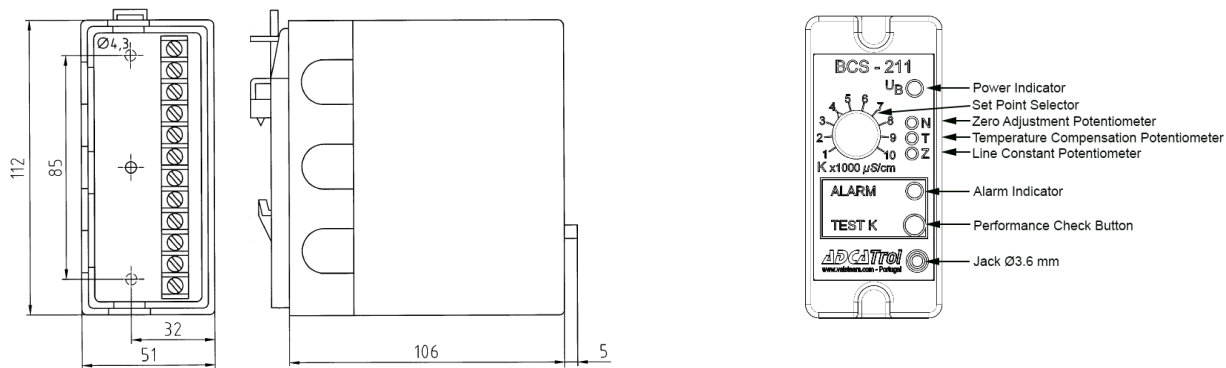
<b>TYPE</b>	<b>BCS-211</b>
<b>Component mark</b>	TUV ID: 0000006175
<b>CE mark</b>	0035 *
<b>Supply voltages</b>	230 V +/- 15% 50/60 Hz
<b>Input</b>	ca, 4,5 VA
<b>Fuse</b>	80 mA/T
<b>Relay output</b>	max. 250 V AC; max. 5 A
<b>Transmitter output</b>	4 to 20 mA
<b>Electrical conductivity range of the liquid</b>	0 $\mu$ S/cm to 10 000 $\mu$ S/cm 0 $\mu$ S/cm to 1 000 $\mu$ S/cm **
<b>Adjustable conductivity set point value at 25 °C</b>	1 000 $\mu$ S/cm to 10 000 $\mu$ S/cm 100 $\mu$ S/cm to 1 000 $\mu$ S/cm **
<b>Protection as per DIN EN 60529</b>	IP 40 ***
<b>Ambient temperature</b>	0 °C to 60 °C

\* According to PED directive annex VII (Module B+D, category II).

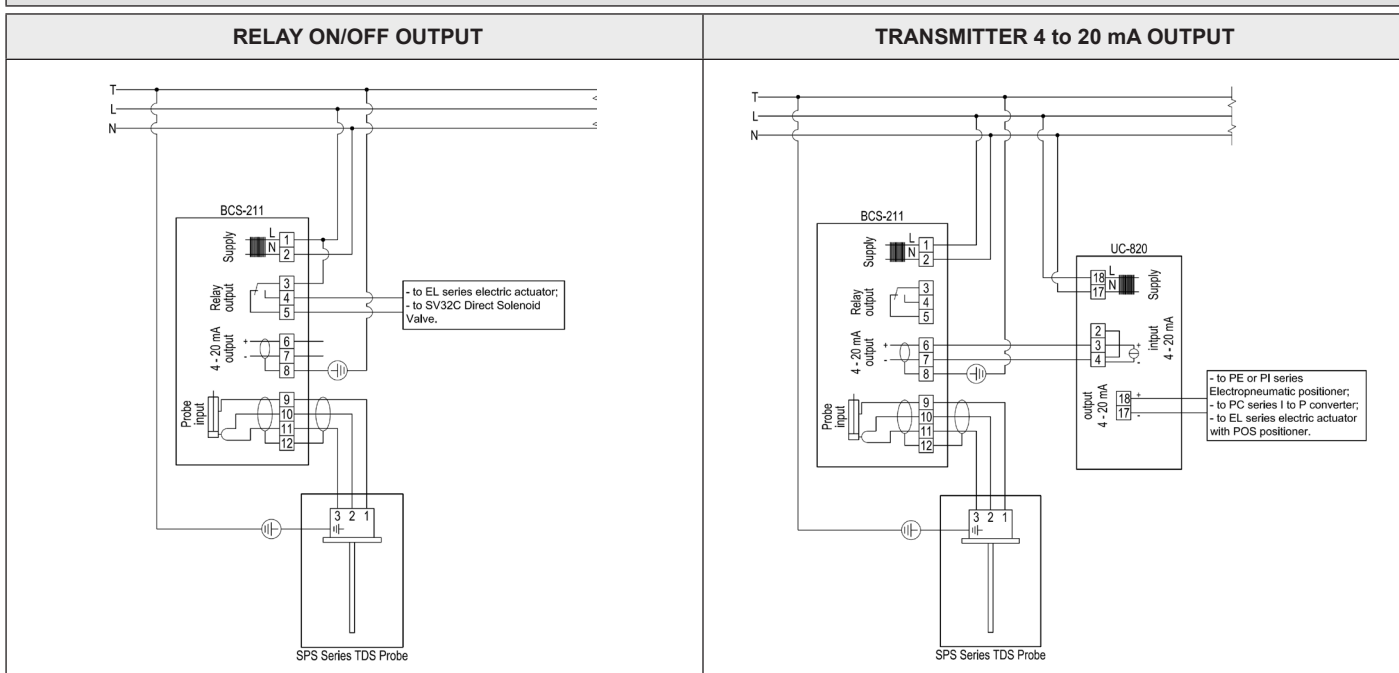
\*\* Version available upon request (BCS-211B).

\*\*\* According to German regulations Vd TUV – Wasserstand 100, 4,90 a protection of IP 54 has to be maintained in the boiler area.

## DIMENSIONS AND FUNCTIONS



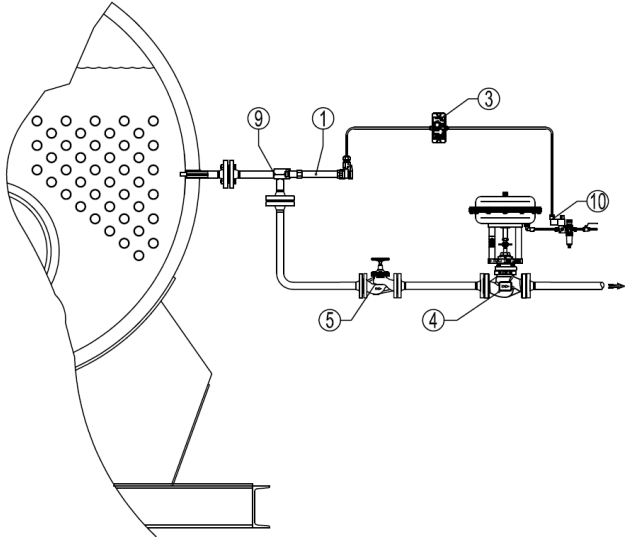
## WIRING DIAGRAMS



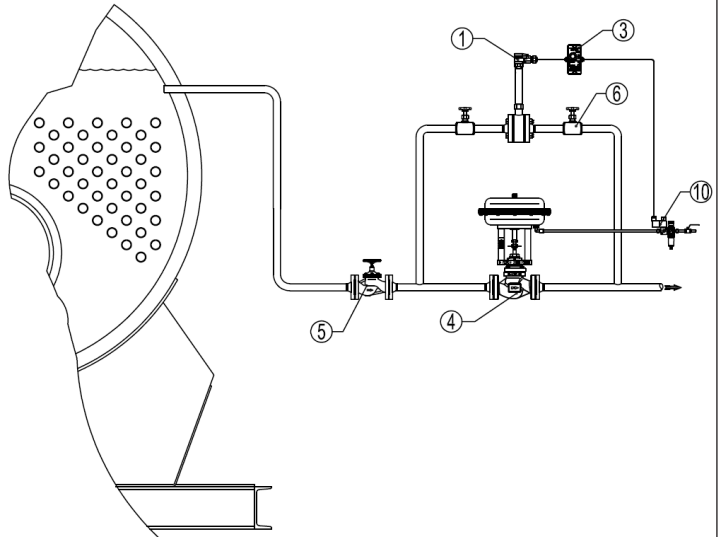
## TYPICAL INSTALLATIONS

### RELAY (ON/OFF) OUTPUT

**FIG. 1 – DIRECT BOILER CONDUCTIVITY MEASUREMENT  
(USING SPS-33 PROBE)**

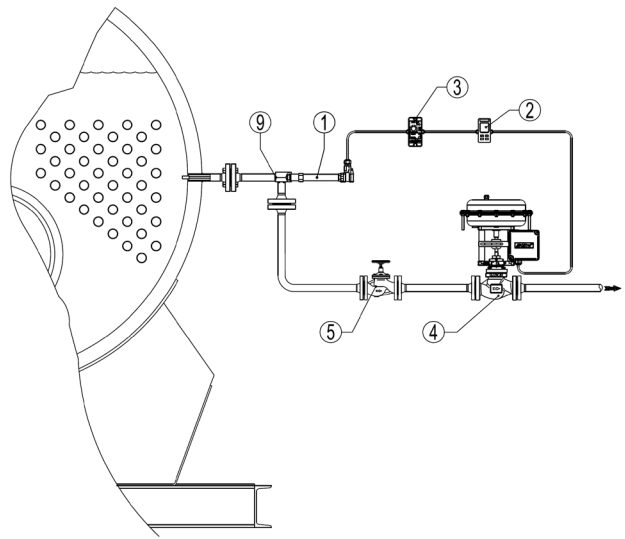


**FIG. 2 – INLINE CONDUCTIVITY MEASUREMENT  
(USING SPS-21 PROBE)**

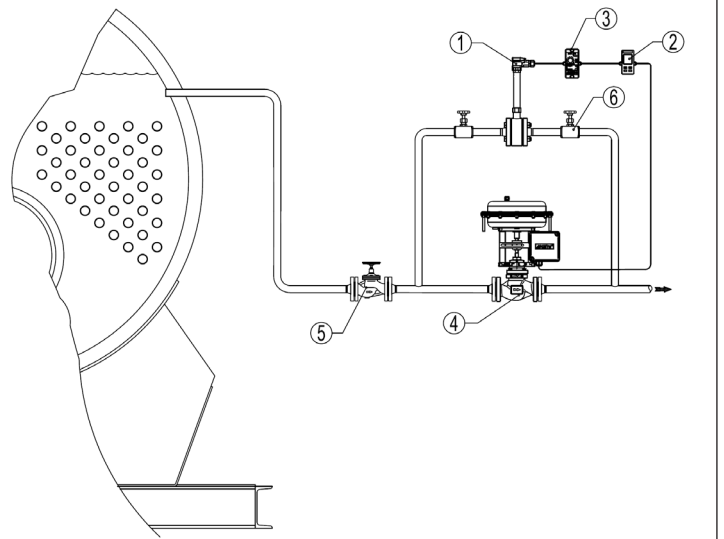


### TRANSMITTER (4 to 20mA) OUTPUT

**FIG. 3 – DIRECT BOILER CONDUCTIVITY MEASUREMENT  
(USING SPS-33 PROBE)**



**FIG. 4 – INLINE CONDUCTIVITY MEASUREMENT  
(USING SPS-21 PROBE)**



### MATERIALS

POS. N°	DESIGNATION
1	ADCATrol SPS-33 (fig. 1 and fig. 3) and SPS-21 (fig.2 and fig.4)
2	ADCATrol UC-820 universal process controller
3	ADCATrol BCS-211 TDS controller
4	ADCATrol VPC series TDS blowdown control valve
5	ADCA VF bellow sealed globe valve
6	ADCA NV400 needle valve
9	Tee piece type F-3220
10	SV32C direct solenoid valve

\* Available spare parts.

**Алматы** (7273)495-231  
**Ангарск** (3955)60-70-56  
**Архангельск** (8182)63-90-72  
**Астрахань** (8512)99-46-04  
**Барнаул** (3852)73-04-60  
**Белгород** (4722)40-23-64  
**Благовещенск** (4162)22-76-07  
**Брянск** (4832)59-03-52  
**Владивосток** (423)249-28-31  
**Владикавказ** (8672)28-90-48  
**Владимир** (4922)49-43-18  
**Волгоград** (844)278-03-48  
**Вологда** (8172)26-41-59  
**Воронеж** (473)204-51-73  
**Екатеринбург** (343)384-55-89

**Иваново** (4932)77-34-06  
**Ижевск** (3412)26-03-58  
**Иркутск** (395)279-98-46  
**Казань** (843)206-01-48  
**Калининград** (4012)72-03-81  
**Калуга** (4842)92-23-67  
**Кемерово** (3842)65-04-62  
**Киров** (8332)68-02-04  
**Коломна** (4966)23-41-49  
**Кострома** (4942)77-07-48  
**Краснодар** (861)203-40-90  
**Красноярск** (391)204-63-61  
**Курск** (4712)77-13-04  
**Курган** (3522)50-90-47  
**Липецк** (4742)52-20-81

**Магнитогорск** (3519)55-03-13  
**Москва** (495)268-04-70  
**Мурманск** (8152)59-64-93  
**Набережные Челны** (8552)20-53-41  
**Нижний Новгород** (831)429-08-12  
**Новокузнецк** (3843)20-46-81  
**Ноябрьск** (3496)41-32-12  
**Новосибирск** (383)227-86-73  
**Омск** (3812)21-46-40  
**Орел** (4862)44-53-42  
**Оренбург** (3532)37-68-04  
**Пенза** (8412)22-31-16  
**Петрозаводск** (8142)55-98-37  
**Псков** (8112)59-10-37  
**Пермь** (342)205-81-47

**Ростов-на-Дону** (863)308-18-15  
**Рязань** (4912)46-61-64  
**Самара** (846)206-03-16  
**Санкт-Петербург** (812)309-46-40  
**Саратов** (845)249-38-78  
**Севастополь** (8692)22-31-93  
**Саранск** (8342)22-96-24  
**Симферополь** (3652)67-13-56  
**Смоленск** (4812)29-41-54  
**Сочи** (862)225-72-31  
**Ставрополь** (8652)20-65-13  
**Сургут** (3462)77-98-35  
**Сыктывкар** (8212)25-95-17  
**Тамбов** (4752)50-40-97  
**Тверь** (4822)63-31-35

**Тольятти** (8482)63-91-07  
**Томск** (3822)98-41-53  
**Тула** (4872)33-79-87  
**Тюмень** (3452)66-21-18  
**Ульяновск** (8422)24-23-59  
**Улан-Удэ** (3012)59-97-51  
**Уфа** (347)229-48-12  
**Хабаровск** (4212)92-98-04  
**Чебоксары** (8352)28-53-07  
**Челябинск** (351)202-03-61  
**Череповец** (8202)49-02-64  
**Чита** (3022)38-34-83  
**Якутск** (4112)23-90-97  
**Ярославль** (4852)69-52-93

**Россия** +7(495)268-04-70

**Казахстан** +7(7172)727-132

**Киргизия** +996(312)96-26-47

<https://adca.nt-rt.ru/> || [acd@nt-rt.ru](mailto:acd@nt-rt.ru)