

Алматы (7273)495-231
Ангарск (3955)60-70-56
Архангельск (8182)63-90-72
Астрахань (8512)99-46-04
Барнаул (3852)73-04-60
Белгород (4722)40-23-64
Благовещенск (4162)22-76-07
Брянск (4832)59-03-52
Владивосток (423)249-28-31
Владикавказ (8672)28-90-48
Владимир (4922)49-43-18
Волгоград (844)278-03-48
Вологда (8172)26-41-59
Воронеж (473)204-51-73
Екатеринбург (343)384-55-89

Иваново (4932)77-34-06
Ижевск (3412)26-03-58
Иркутск (395)279-98-46
Казань (843)206-01-48
Калининград (4012)72-03-81
Калуга (4842)92-23-67
Кемерово (3842)65-04-62
Киров (8332)68-02-04
Коломна (4966)23-41-49
Кострома (4942)77-07-48
Краснодар (861)203-40-90
Красноярск (391)204-63-61
Курск (4712)77-13-04
Курган (3522)50-90-47
Липецк (4742)52-20-81

Магнитогорск (3519)55-03-13
Москва (495)268-04-70
Мурманск (8152)59-64-93
Набережные Челны (8552)20-53-41
Нижний Новгород (831)429-08-12
Новокузнецк (3843)20-46-81
Ноябрьск (3496)41-32-12
Новосибирск (383)227-86-73
Омск (3812)21-46-40
Орел (4862)44-53-42
Оренбург (3532)37-68-04
Пенза (8412)22-31-16
Петрозаводск (8142)55-98-37
Псков (8112)59-10-37
Пермь (342)205-81-47

Ростов-на-Дону (863)308-18-15
Рязань (4912)46-61-64
Самара (846)206-03-16
Санкт-Петербург (812)309-46-40
Саратов (845)249-38-78
Севастополь (8692)22-31-93
Саранск (8342)22-96-24
Симферополь (3652)67-13-56
Смоленск (4812)29-41-54
Сочи (862)225-72-31
Ставрополь (8652)20-65-13
Сургут (3462)77-98-35
Сыктывкар (8212)25-95-17
Тамбов (4752)50-40-97
Тверь (4822)63-31-35

Тольятти (8482)63-91-07
Томск (3822)98-41-53
Тула (4872)33-79-87
Тюмень (3452)66-21-18
Ульяновск (8422)24-23-59
Улан-Удэ (3012)59-97-51
Уфа (347)229-48-12
Хабаровск (4212)92-98-04
Чебоксары (8352)28-53-07
Челябинск (351)202-03-61
Череповец (8202)49-02-64
Чита (3022)38-34-83
Якутск (4112)23-90-97
Ярославль (4852)69-52-93

Россия +7(495)268-04-70

Казахстан +7(7172)727-132

Киргизия +996(312)96-26-47

<https://adca.nt-rt.ru/> || acd@nt-rt.ru



SANITARY TANK BLANKETING REGULATORS BKR2



SANITARY TANK BLANKETING REGULATORS BKR2 (Low pressure reducing valve)

DESCRIPTION

Tank blanketing valves are commonly used in tank storage systems to prevent and protect against explosions (avoiding flammable liquids being vented from the vessel), to control product contamination against external air that may fill the vapour space, to reduce evaporation losses (consequently, production losses), to reduce internal corrosion (caused by air and moisture) and to prevent vacuum condition.


The blanketing process consists in covering the stored medium, usually a liquid, with a gas (normally N₂).

MAIN FEATURES

Compact design.
Non-rising adjustment knob.
FDA / USP Class VI compliant seals.

STANDARD SURFACE FINISH

Internal wetted parts: ≤ 0,51 µm Ra – SF1.
Body external: ≤ 0,76 µm Ra – SF3.
Cover: internal machined and external as casted.
Other surface conditions see TIS.GIA – General information ADCAPure.
Ultrasonic cleaning.

OPTIONS: Leakage line connection.
Dome-loading.
Top cap (adjustment screw with cover).
Gauge connection on body.
External sensing line connection (recommended for low set pressures < 10 mbar or high flow).
Blanketing with vacuum.
Hastelloy wetted parts.
ATEX  version.

USE: Air, nitrogen, argon and other gases compatible with the construction.

AVAILABLE MODELS: BKR2 – low pressure reducing valve.

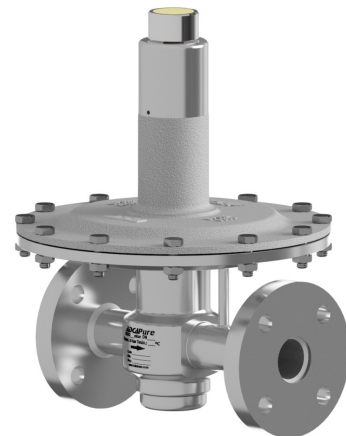
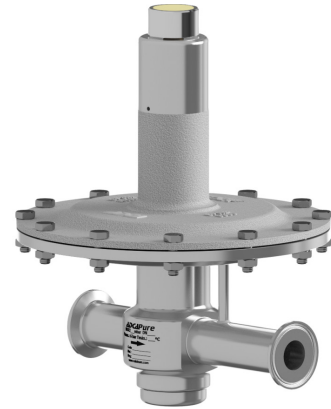
SIZES: 1"; DN 25.

REGULATING RANGES: 5 to 10 mbar; 10 to 50 mbar; 20 to 200 mbar; 50 to 500 mbar; 5 to 4000 mbar (dome-loading).

CONNECTIONS: ASME BPE, DIN and ISO clamp ferrules.
Flanged EN 1092-1 PN 16. Others on request.

PACKAGING: Assembling and packaging in a clean room certified according to ISO 14644-1.
The product is end capped and sealed with recyclable thermo-shrinkable plastic film, to avoid contamination.

INSTALLATION: Vertical installation recommended, to allow drainage, or horizontal as close to the process as possible in order to prevent long pipe sections and flow restrictions. See IMI – Installation and maintenance instructions.



CE MARKING – GROUP 2 (PED – European Directive)

PN 16	Category
1" – DN 25	SEP

CE MARKING – ATEX VERSION (ATEX – European Directive)

PN 16	Category
1" – DN 25	Ex h IIB T6...T3 Gb

LIMITING CONDITIONS *

Maximum allowable pressure	16 bar	
Maximum upstream pressure	Seat Ø5 mm	12 bar
	Seat Ø8 mm	6 bar
Maximum downstream pressure **	500 mbar	
Minimum downstream pressure	5 mbar	
Maximum operating temperature	130 °C	

* Other limits on request. Maximum operating conditions may be limited by the valve end connections due to normative restrictions.

** 4000 mbar with dome-loading.

AIR CAPACITIES (Nm³/h)
Maximum inlet pressure 6 bar – Seat Ø8 mm

SIZE	OUTLET PRESSURE (mbar) *	INLET PRESSURE (barg)								
		0,1	0,5	0,8	1	2	3	4	5	6
1" – DN 25	5 to 10	4	20	32	40	63	85	102	125	140
	10 to 50	4	20	32	40	63	85	102	125	140
	20 to 200	–	20	32	40	63	85	102	125	140
	50 to 500	–	–	–	40	63	85	102	125	140

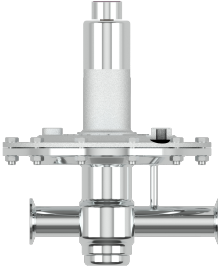
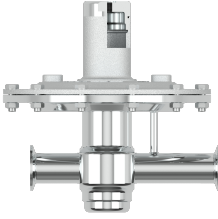
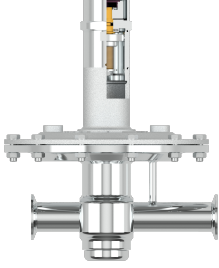
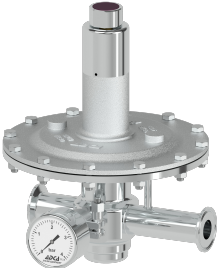
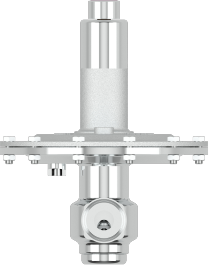
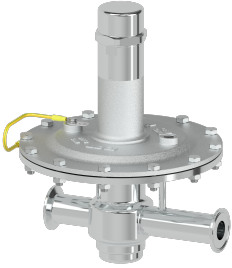
* Outlet pressure should not be more than 50% of the inlet, in order to reach the mentioned flow rates.

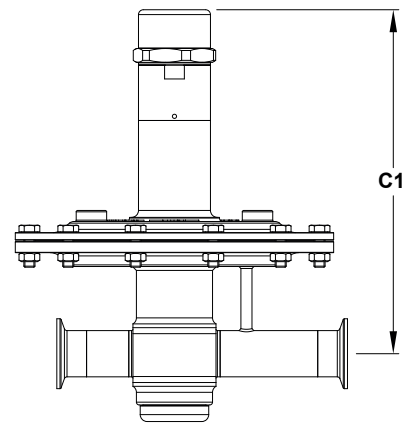
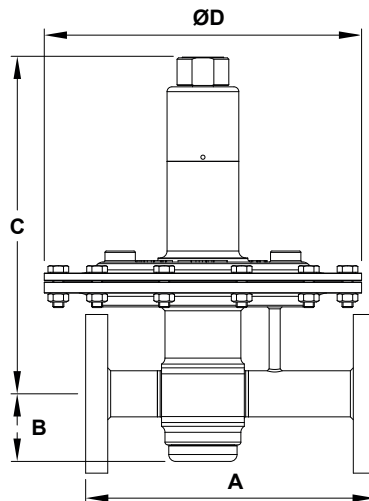
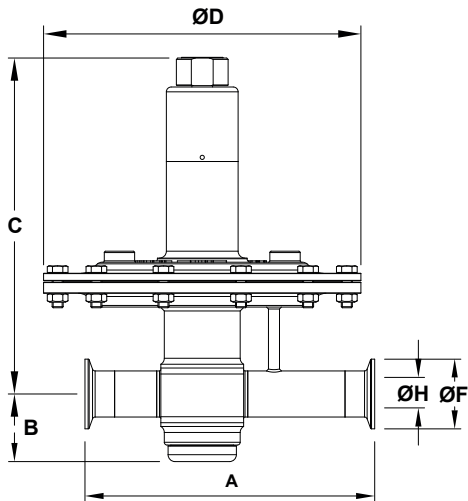
AIR CAPACITIES (Nm³/h)
Maximum inlet pressure 12 bar – Seat Ø5 mm

SIZE	OUTLET PRESSURE (mbar) *	INLET PRESSURE (barg)				
		2	4	6	8	12
1" – DN 25	5 to 10	21	35	49	62	90
	10 to 50	21	35	49	62	90
	20 to 200	21	35	49	62	90
	50 to 500	21	35	49	62	90

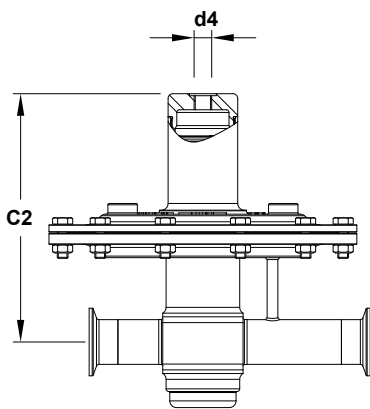
* Outlet pressure should not be more than 50% of the inlet, in order to reach the mentioned flow rates.

OPTIONS

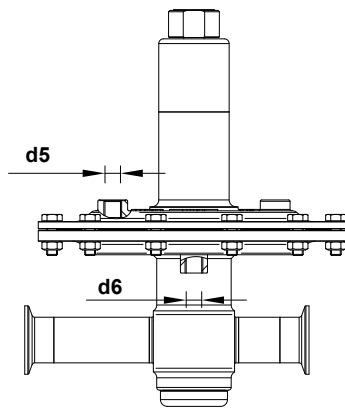
LEAKAGE LINE CONNECTION	DOME-LOADING	TOP CAP
		
GAUGE CONNECTION	EXTERNAL SENSING LINE CONNECTION	ATEX COMPLIANT
		



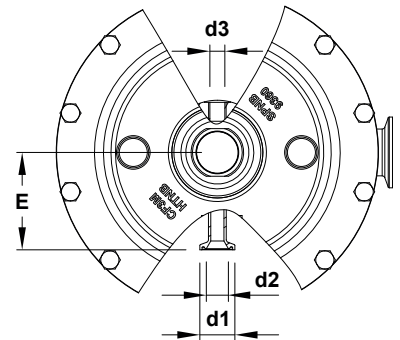
Optional top cap



Optional dome-loading



Optional external sensing and leakage line connections



Optional gauge connection

DIMENSIONS – ASME BPE (mm)

SIZE	A	B	C	C1	C2	ØD	E	ØF	ØH	d1	d2	d3	d4	d5	d6	WGT. (kg)
1"	210	49	244	249	186	230	70	50,4	22,1	25	15,75	1/4"	1/4"	1/4"	1/4"	8,5

DIMENSIONS – DIN (mm)

SIZE	A	B	C	C1	C2	ØD	E	ØF	ØH	d1	d2	d3	d4	d5	d6	WGT. (kg)
DN 25	210	49	244	249	186	230	70	50,5	26	25	15,75	1/4"	1/4"	1/4"	1/4"	8,5

Remark: Clamp ferrules according to DIN 32676-A.

DIMENSIONS – ISO (mm)

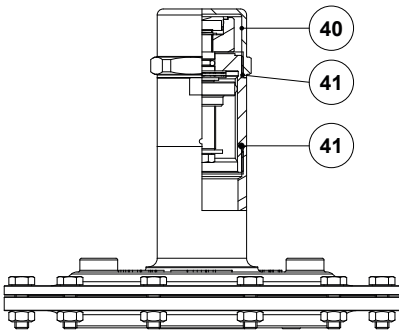
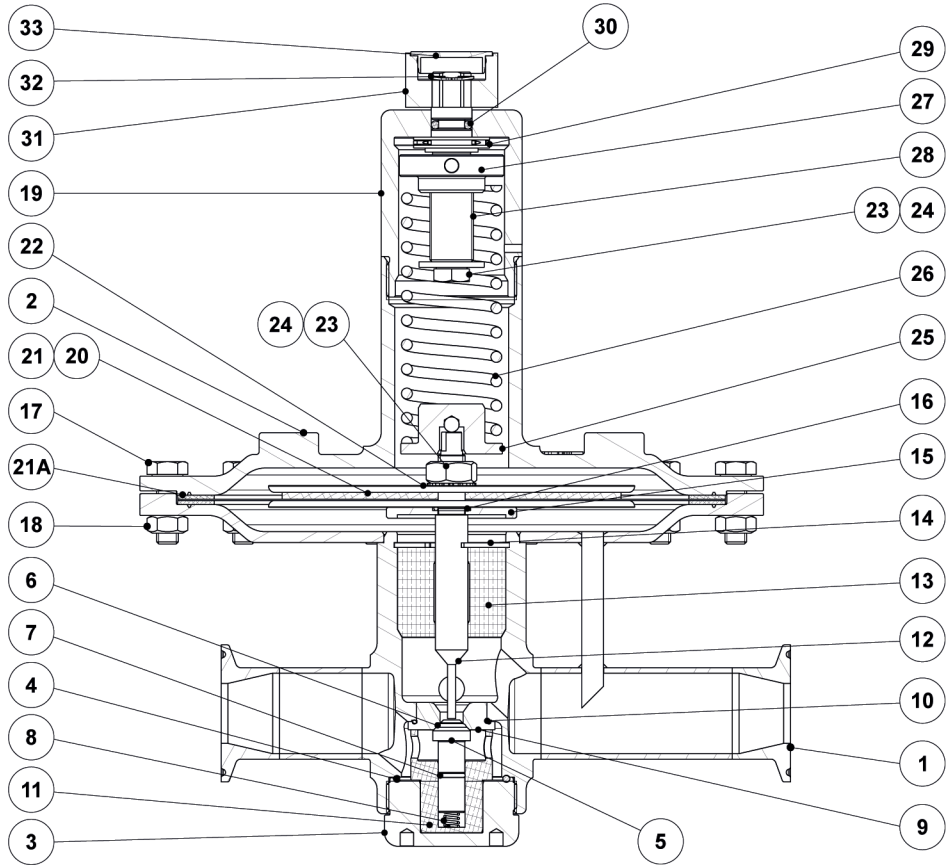
SIZE	A	B	C	C1	C2	ØD	E	ØF	ØH	d1	d2	d3	d4	d5	d6	WGT. (kg)
DN 25	210	49	244	249	186	230	70	50,5	29,7	25	15,75	1/4"	1/4"	1/4"	1/4"	8,5

Remark: Clamp ferrules according to DIN 32676-B.

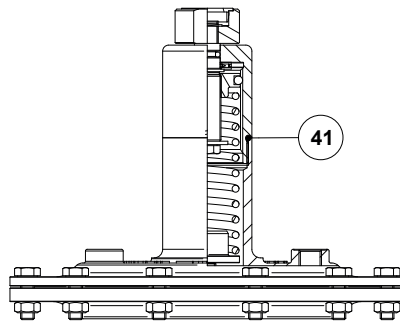
DIMENSIONS – FLANGED EN 1092-1 (mm)

SIZE	A	B	C	C1	C2	ØD	E	d1	d2	d3	d4	d5	d6	WGT. (kg)
DN 25	210	49	244	249	186	230	70	25	15,75	1/4"	1/4"	1/4"	1/4"	10,6

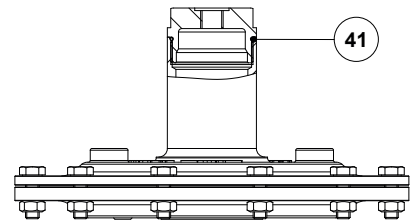
MATERIALS



Optional top cap



Optional leakage line connection



Optional dome-loading

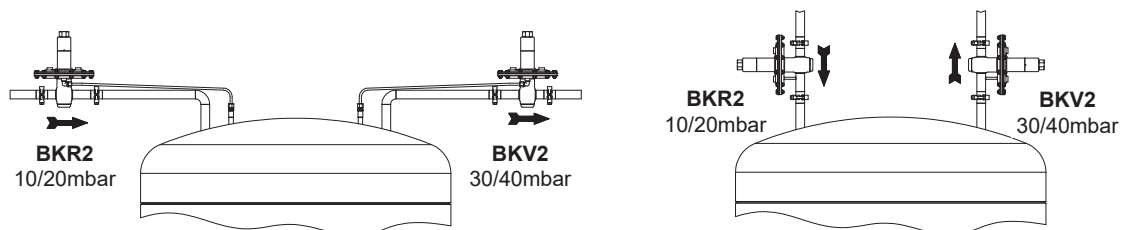
MATERIALS		
POS. N°	DESIGNATION	MATERIAL
1	Valve body	AISI 316L / 1.4404
		Hastelloy C22 / 2.4602
2	Cover	A351 CF3M / 1.4409
3	Bottom cover	AISI 316L / 1.4404
		Hastelloy C22 / 2.4602
4	* O-ring	** EPDM
5	* Piston	AISI 316L / 1.4404
		Hastelloy C22 / 2.4602
6	* Valve seal	** EPDM; FPM
7	* O-ring	** EPDM; FPM
8	* Valve spring	AISI 316 / 1.4401 electropolished
		Hastelloy C22 / 2.4602
9	* Seat	AISI 316L / 1.4404
		Hastelloy C22 / 2.4602
10	* O-ring	** EPDM
11	* Guide	** PTFE
12	Stem	AISI 316L / 1.4404
		Hastelloy C22 / 2.4602
13	Stem guide	** PTFE
14	Retaining ring	Stainless steel A2
		Hastelloy C22 / 2.4602
15	Diaphragm support plate	AISI 316L / 1.4404
		Hastelloy C22 / 2.4602
16	* O-ring	** EPDM
17	Bolts	Stainless steel A2-70
18	Nuts	Stainless steel A2-70
19	Spring cover	AISI 316L / 1.4404
20	* Lower diaphragm	PTFE (Gylon)
21	* Upper diaphragm	EPDM
21A	* Gasket	** EPDM
22	Diaphragm plate	AISI 316L / 1.4404
23	Nut	Stainless steel A2-70
24	* Washer	Stainless steel A2
25	Lower spring guide	AISI 316L / 1.4404
26	* Adjustment spring	AISI 302 / 1.4300
27	Upper spring guide	AISI 316L / 1.4404
28	Adjustment screw	Brass
29	Bearing	Corrosion resistant steel
30	* O-ring	NBR
31	Adjustment knob	AISI 316L / 1.4404
32	Shaft ring	Stainless steel
33	Cover nut	Plastic
40	Top cap	AISI 316L / 1.4404
41	* O-ring	NBR

* Available spare parts. ** Others on request.

FDA / USP Class VI seals certificate on request.

All valves have a serial number. In case of non standard valves, this number must be supplied if spare parts are ordered.

TYPICAL INSTALLATION



Blanketing with overpressure

ORDERING CODES BKR2

Valve model	BR	A	5	T	E	I	X	X	X	0	D	25	E
BKR2 – AISI 316L / 1.4404 blanketing low pressure regulator	BR												
BKR2 – Hastelloy C22 / 2.4602 blanketing low pressure regulator	BRH												
Regulating range													
5 to 10 mbar	0												
10 to 50 mbar	1												
20 to 200 mbar	2												
50 to 500 mbar	3												
5 to 4000 mbar (dome-loading)	A												
Valve seat orifice													
Seat diameter 5 mm	5												
Seat diameter 8 mm	8												
Diaphragm													
PTFE (Gylon)				T									
Valve sealing													
EPDM					E								
FPM / Viton (USP Class VI on request)					V								
Adjustment knob, top cap and leakage line connection													
Stainless steel adjustment knob						I							
Top cap (adjustment screw with cover)						T							
Stainless steel adjustment knob w/ ISO 228 G 1/4" leakage line connection						L							
Stainless steel adjustment knob w/ 1/4" NPT leakage line connection						M							
Top cap (adjustment screw with cover) w/ ISO 228 G 1/4" leakage line connection a)						U							
Top cap (adjustment screw with cover) w/ 1/4" NPT leakage line connection a)						V							
Dome-loading – ISO 228 G 1/4" b)						X							
Dome-loading – 1/4" NPT b)						C							
Gauge connections													
Without gauge connections							X						
Tri-clamp gauge connection on the left side (relative to flow direction) – downstream pressure							7						
Tri-clamp gauge connection on the right side (relative to flow direction) – downstream pressure							6						
Tri-clamp gauge connection on both sides – downstream pressure							5						
Threaded gauge connection on the left side (relative to flow direction) – downstream pressure – ISO 228 G 1/4"							4						
Threaded gauge connection on the right side (relative to flow direction) – downstream pressure – ISO 228 G 1/4"							3						
Threaded gauge connection on both sides – downstream pressure – ISO 228 G 1/4"							2						
Threaded gauge connection on the left side (relative to flow direction) – downstream pressure – 1/4" NPT							W						
Threaded gauge connection on the right side (relative to flow direction) – downstream pressure – 1/4" NPT							Y						
Threaded gauge connection on both sides – downstream pressure – 1/4" NPT							Z						
Surface finish c)													
Standard surface finish								X					
Mirror mechanical polished external surfaces (SF1)								P					
Electropolished internal wetted parts (SF5)								E					
Special features													
None									X				
External sensing line connection													
Internal sensing line (standard)										0			
External sensing line connection – ISO 228 G 1/4"										1			
External sensing line connection – 1/4" NPT										2			
Pipe connection													
Clamp ferrule ASME BPE												D	
Clamp ferrule DIN (DIN 32676-A)												F	
Clamp ferrule ISO (DIN 32676-B)												E	
Flanged EN 1092-1 PN 16												L	
Size													
1" or DN 25												25	
Special construction / Additional options													
ATEX compliant version													EX
Full description or additional codes have to be added in case of non-standard combination													E

a) Mandatory in case of ATEX compliant version. **b)** Mandatory in case of dome-loading. **c)** Consult TIS.GIA – General information ADCAPure – for further details and other surface finish options.

Алматы (7273)495-231
Ангарск (3955)60-70-56
Архангельск (8182)63-90-72
Астрахань (8512)99-46-04
Барнаул (3852)73-04-60
Белгород (4722)40-23-64
Благовещенск (4162)22-76-07
Брянск (4832)59-03-52
Владивосток (423)249-28-31
Владикавказ (8672)28-90-48
Владимир (4922)49-43-18
Волгоград (844)278-03-48
Вологда (8172)26-41-59
Воронеж (473)204-51-73
Екатеринбург (343)384-55-89

Иваново (4932)77-34-06
Ижевск (3412)26-03-58
Иркутск (395)279-98-46
Казань (843)206-01-48
Калининград (4012)72-03-81
Калуга (4842)92-23-67
Кемерово (3842)65-04-62
Киров (8332)68-02-04
Коломна (4966)23-41-49
Кострома (4942)77-07-48
Краснодар (861)203-40-90
Красноярск (391)204-63-61
Курск (4712)77-13-04
Курган (3522)50-90-47
Липецк (4742)52-20-81

Магнитогорск (3519)55-03-13
Москва (495)268-04-70
Мурманск (8152)59-64-93
Набережные Челны (8552)20-53-41
Нижний Новгород (831)429-08-12
Новокузнецк (3843)20-46-81
Ноябрьск (3496)41-32-12
Новосибирск (383)227-86-73
Омск (3812)21-46-40
Орел (4862)44-53-42
Оренбург (3532)37-68-04
Пенза (8412)22-31-16
Петрозаводск (8142)55-98-37
Псков (8112)59-10-37
Пермь (342)205-81-47

Ростов-на-Дону (863)308-18-15
Рязань (4912)46-61-64
Самара (846)206-03-16
Санкт-Петербург (812)309-46-40
Саратов (845)249-38-78
Севастополь (8692)22-31-93
Саранск (8342)22-96-24
Симферополь (3652)67-13-56
Смоленск (4812)29-41-54
Сочи (862)225-72-31
Ставрополь (8652)20-65-13
Сургут (3462)77-98-35
Сыктывкар (8212)25-95-17
Тамбов (4752)50-40-97
Тверь (4822)63-31-35

Тольятти (8482)63-91-07
Томск (3822)98-41-53
Тула (4872)33-79-87
Тюмень (3452)66-21-18
Ульяновск (8422)24-23-59
Улан-Удэ (3012)59-97-51
Уфа (347)229-48-12
Хабаровск (4212)92-98-04
Чебоксары (8352)28-53-07
Челябинск (351)202-03-61
Череповец (8202)49-02-64
Чита (3022)38-34-83
Якутск (4112)23-90-97
Ярославль (4852)69-52-93

Россия +7(495)268-04-70

Казахстан +7(7172)727-132

Киргизия +996(312)96-26-47