

Алматы (7273)495-231
Ангарск (3955)60-70-56
Архангельск (8182)63-90-72
Астрахань (8512)99-46-04
Барнаул (3852)73-04-60
Белгород (4722)40-23-64
Благовещенск (4162)22-76-07
Брянск (4832)59-03-52
Владивосток (423)249-28-31
Владикавказ (8672)28-90-48
Владимир (4922)49-43-18
Волгоград (844)278-03-48
Вологда (8172)26-41-59
Воронеж (473)204-51-73
Екатеринбург (343)384-55-89

Иваново (4932)77-34-06
Ижевск (3412)26-03-58
Иркутск (395)279-98-46
Казань (843)206-01-48
Калининград (4012)72-03-81
Калуга (4842)92-23-67
Кемерово (3842)65-04-62
Киров (8332)68-02-04
Коломна (4966)23-41-49
Кострома (4942)77-07-48
Краснодар (861)203-40-90
Красноярск (391)204-63-61
Курск (4712)77-13-04
Курган (3522)50-90-47
Липецк (4742)52-20-81

Магнитогорск (3519)55-03-13
Москва (495)268-04-70
Мурманск (8152)59-64-93
Набережные Челны (8552)20-53-41
Нижний Новгород (831)429-08-12
Новокузнецк (3843)20-46-81
Ноябрьск (3496)41-32-12
Новосибирск (383)227-86-73
Омск (3812)21-46-40
Орел (4862)44-53-42
Оренбург (3532)37-68-04
Пенза (8412)22-31-16
Петрозаводск (8142)55-98-37
Псков (8112)59-10-37
Пермь (342)205-81-47

Ростов-на-Дону (863)308-18-15
Рязань (4912)46-61-64
Самара (846)206-03-16
Санкт-Петербург (812)309-46-40
Саратов (845)249-38-78
Севастополь (8692)22-31-93
Саранск (8342)22-96-24
Симферополь (3652)67-13-56
Смоленск (4812)29-41-54
Сочи (862)225-72-31
Ставрополь (8652)20-65-13
Сургут (3462)77-98-35
Сыктывкар (8212)25-95-17
Тамбов (4752)50-40-97
Тверь (4822)63-31-35

Тольятти (8482)63-91-07
Томск (3822)98-41-53
Тула (4872)33-79-87
Тюмень (3452)66-21-18
Ульяновск (8422)24-23-59
Улан-Удэ (3012)59-97-51
Уфа (347)229-48-12
Хабаровск (4212)92-98-04
Чебоксары (8352)28-53-07
Челябинск (351)202-03-61
Череповец (8202)49-02-64
Чита (3022)38-34-83
Якутск (4112)23-90-97
Ярославль (4852)69-52-93

Россия +7(495)268-04-70

Казахстан +7(7172)727-132

Киргизия +996(312)96-26-47

<https://adca.nt-rt.ru/> || acd@nt-rt.ru



PRESSURE TRANSMITTER PCS1



PRESSURE TRANSMITTER PCS1

DESCRIPTION

The PCS1 series pressure transmitters are suitable for all industrial applications, especially in severe conditions where high temperatures, pressure peaks and high levels of shock and vibration are present.

They are extremely robust and reliable, thanks to their state of the art SMD electronics and compact all stainless steel construction.

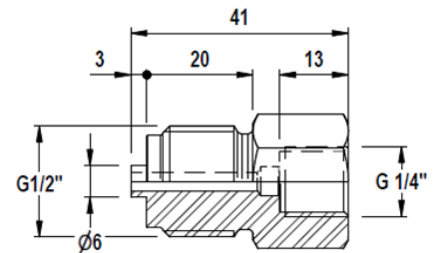
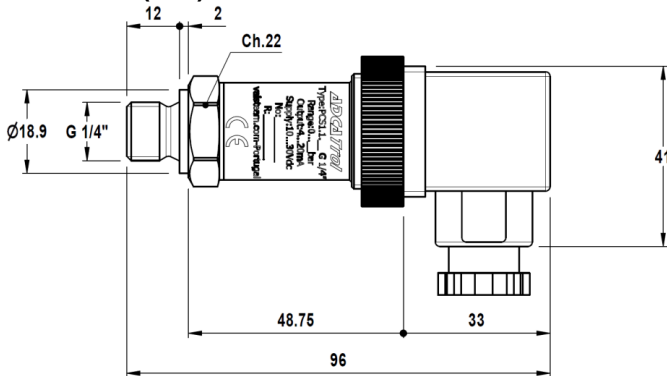
MAIN FEATURES

- Very compact size.
- All stainless steel construction.
- Extended process media temperature from -40° to +125 °C.
- 2-wire 4 – 20 mA current loop output.
- G 1/4" pressure port with embedded o-ring.
- Available in multiple pressure ranges.
- < 0.5% of full scale overall accuracy.
- < 1 ms fast response.
- Capable of withstanding high levels of mechanical shock and vibrations.

OPTIONS: Siphons and connector fitting adaptors for ADCA SG series siphons.
M12 electrical connection (IP67 protection class).



DIMENSIONS (mm)



*Connection fitting adaptor for
ADCA SG series siphons
(optional)*

PRESSURE RANGES (bar)									
RANGE	0...6	0...10	0...16	0...25	0...40	0...100	0...250	0...400	0...600
Overpressure	12	20	32	50	80	200	500	800	1200
Burst pressure	24	40	64	100	160	400	1000	1500	1500

TECHNICAL DATA	
Non linearity (BFSL)	±0.15% FS; ±0.25% FS (max)
Hysteresis	±0.1% FS; ±0.15% FS (max)
Repeatability	±0.025% FS; ±0.05% FS (max)
Zero offset tolerance	±0.15% FS; ±0.25% FS (max)
Span offset tolerance	±0.15% FS; ±0.25% FS (max)
Accuracy at room temperature ¹⁾	< ±0.5% FS
Pressure ranges ²⁾	See table
Resolution	Infinite
Overpressure (without degrading performance)	See table
Pressure containment (burst test)	See table
Pressure media	Fluids compatible with stainless steel AISI 430F and 17-4 PH
Housing	Stainless steel AISI 304
Power supply	10...30 V dc
Dielectric strength	250 V dc
Zero output signal	4 mA
Full scale output signal	20 mA
Allowed load	See load diagram
Long term stability	<0.2% FS/per year
Operating temperature range (process)	-40...+125 °C (-40...+257 °F)
Operating temperature range (ambient)	-40...+105 °C (-40...+221 °F)
Compensated temperature range	-20...+85 °C (-40...+185 °F)
Storage temperature range	-40...+125 (-40...+257 °F)
Temperature effects over compensated range (zero)	±0.01% FS/°C; ±0.02% FS/°C (max)
Temperature effects over compensated range (span)	±0.01% FS/°C; ±0.02% FS/°C (max)
Response time (10...90% FSO)	< 1 ms
Warm-up time ³⁾	< 30 s
Mounting position effects	Negligible
Humidity	100% RH non-condensing
Weight	80g to 120g nominal
Mechanical shock	100g/11ms according to IEC 60068-2-27
Vibrations	20g max at 10...2000 Hz according to IEC 60068-2-6
Type of protection	IP65/IP67
Output short circuit and reverse polarity protection	Yes
EC Conformity	According to directive 2014/30/EU

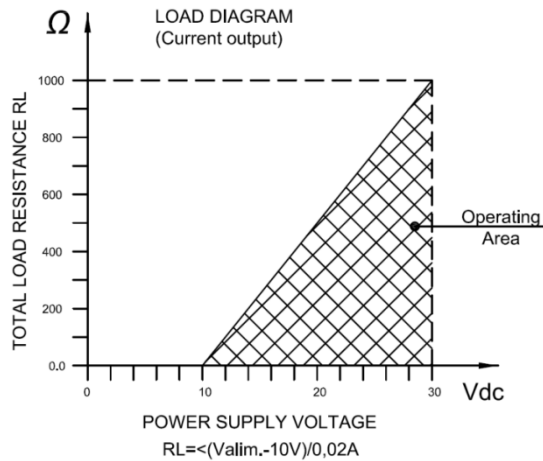
FS= Full Scale.

1) Including Non-linearity, Hysteresis, Repeatability, Zero-offset and Span-offset (acc. to IEC 61298-2).

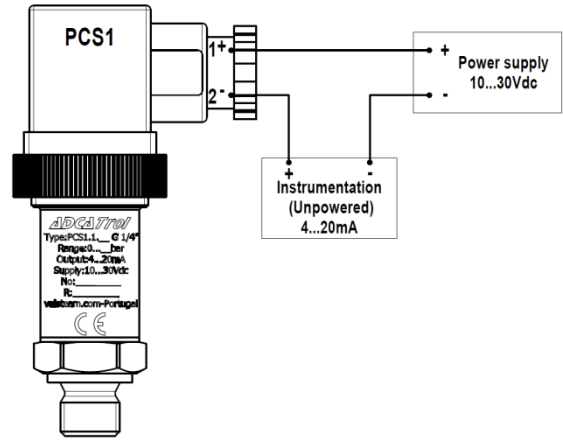
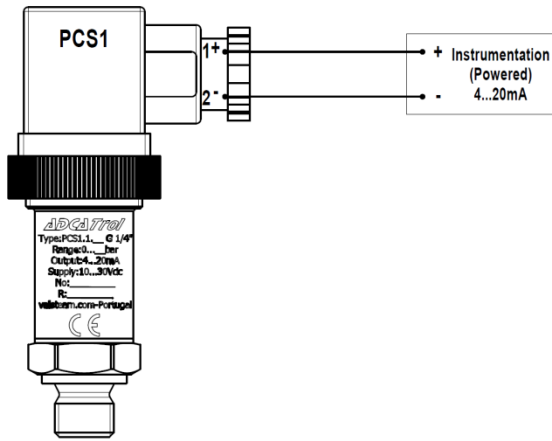
2) The operating pressure range is intended from 0.5% to 100% FS.

3) Time within which the rated performance is achieved.

LOAD DIAGRAM



WIRING DIAGRAMS



ORDERING CODES PCS1

Group Designation	PCS1	.1	.10
Pressure transmitter	PCS1		
Electrical Connections			
4-pin DIN connector (EN 175301-803 Form A) IP65 ¹⁾		.1	
Measurement Range			
0...6 bar			.6
0...10 bar			.10
0...16 bar			.16
0...25 bar			.25
0...40 bar			.40
0...100 bar			.100
0...250 bar			.250
0...400 bar			.400
0...600 bar			.600

1) 4-pin male M12x1 connector IP67 is available under special request.

Алматы (7273)495-231
Ангарск (3955)60-70-56
Архангельск (8182)63-90-72
Астрахань (8512)99-46-04
Барнаул (3852)73-04-60
Белгород (4722)40-23-64
Благовещенск (4162)22-76-07
Брянск (4832)59-03-52
Владивосток (423)249-28-31
Владикавказ (8672)28-90-48
Владимир (4922)49-43-18
Волгоград (844)278-03-48
Вологда (8172)26-41-59
Воронеж (473)204-51-73
Екатеринбург (343)384-55-89

Иваново (4932)77-34-06
Ижевск (3412)26-03-58
Иркутск (395)279-98-46
Казань (843)206-01-48
Калининград (4012)72-03-81
Калуга (4842)92-23-67
Кемерово (3842)65-04-62
Киров (8332)68-02-04
Коломна (4966)23-41-49
Кострома (4942)77-07-48
Краснодар (861)203-40-90
Красноярск (391)204-63-61
Курск (4712)77-13-04
Курган (3522)50-90-47
Липецк (4742)52-20-81

Магнитогорск (3519)55-03-13
Москва (495)268-04-70
Мурманск (8152)59-64-93
Набережные Челны (8552)20-53-41
Нижний Новгород (831)429-08-12
Новокузнецк (3843)20-46-81
Ноябрьск (3496)41-32-12
Новосибирск (383)227-86-73
Омск (3812)21-46-40
Орел (4862)44-53-42
Оренбург (3532)37-68-04
Пенза (8412)22-31-16
Петрозаводск (8142)55-98-37
Псков (8112)59-10-37
Пермь (342)205-81-47

Ростов-на-Дону (863)308-18-15
Рязань (4912)46-61-64
Самара (846)206-03-16
Санкт-Петербург (812)309-46-40
Саратов (845)249-38-78
Севастополь (8692)22-31-93
Саранск (8342)22-96-24
Симферополь (3652)67-13-56
Смоленск (4812)29-41-54
Сочи (862)225-72-31
Ставрополь (8652)20-65-13
Сургут (3462)77-98-35
Сыктывкар (8212)25-95-17
Тамбов (4752)50-40-97
Тверь (4822)63-31-35

Тольятти (8482)63-91-07
Томск (3822)98-41-53
Тула (4872)33-79-87
Тюмень (3452)66-21-18
Ульяновск (8422)24-23-59
Улан-Удэ (3012)59-97-51
Уфа (347)229-48-12
Хабаровск (4212)92-98-04
Чебоксары (8352)28-53-07
Челябинск (351)202-03-61
Череповец (8202)49-02-64
Чита (3022)38-34-83
Якутск (4112)23-90-97
Ярославль (4852)69-52-93

Россия +7(495)268-04-70

Казахстан +7(7172)727-132

Киргизия +996(312)96-26-47